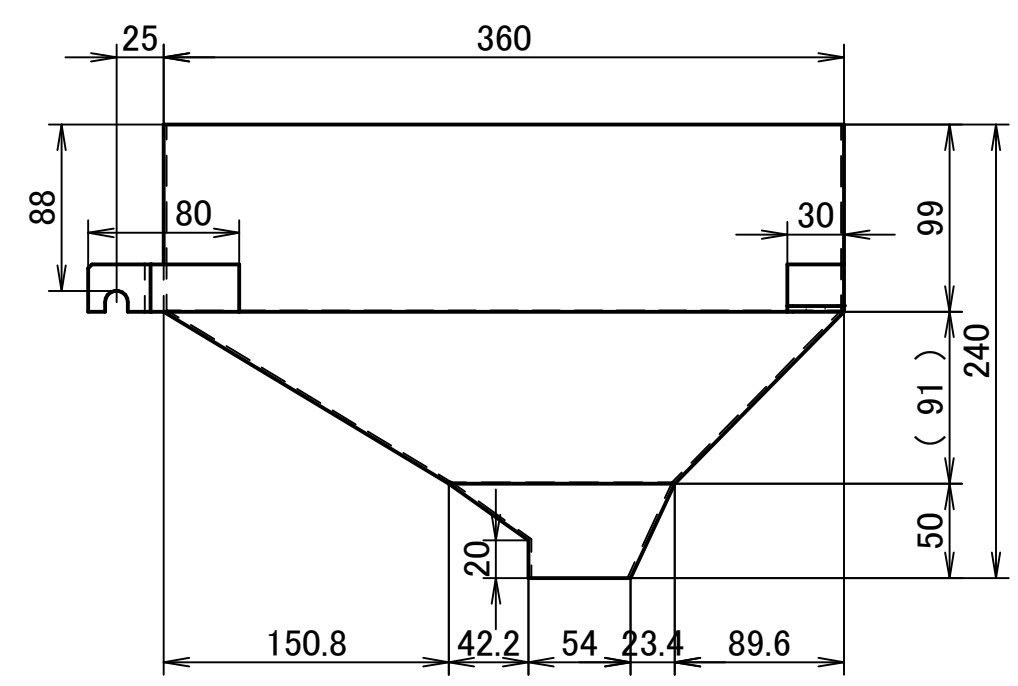
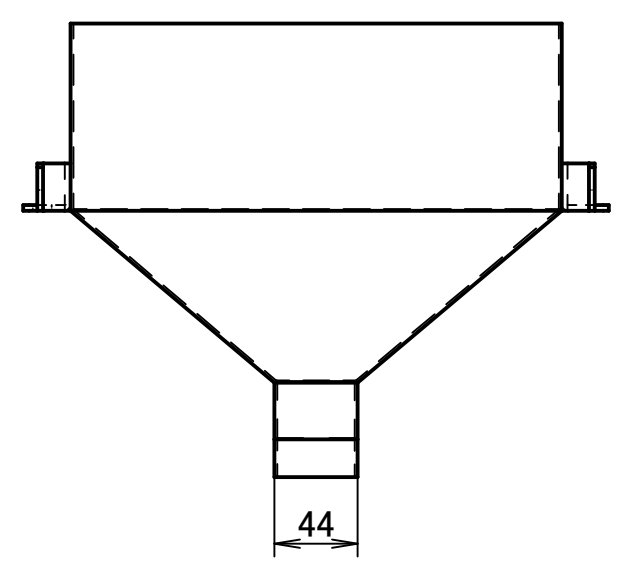
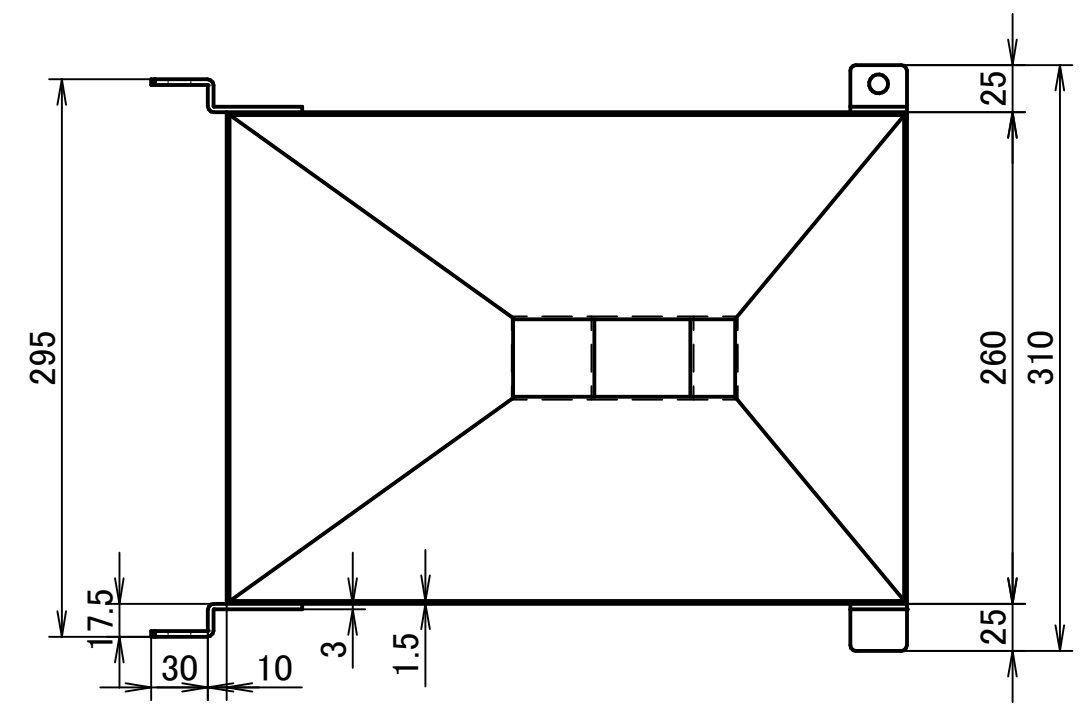
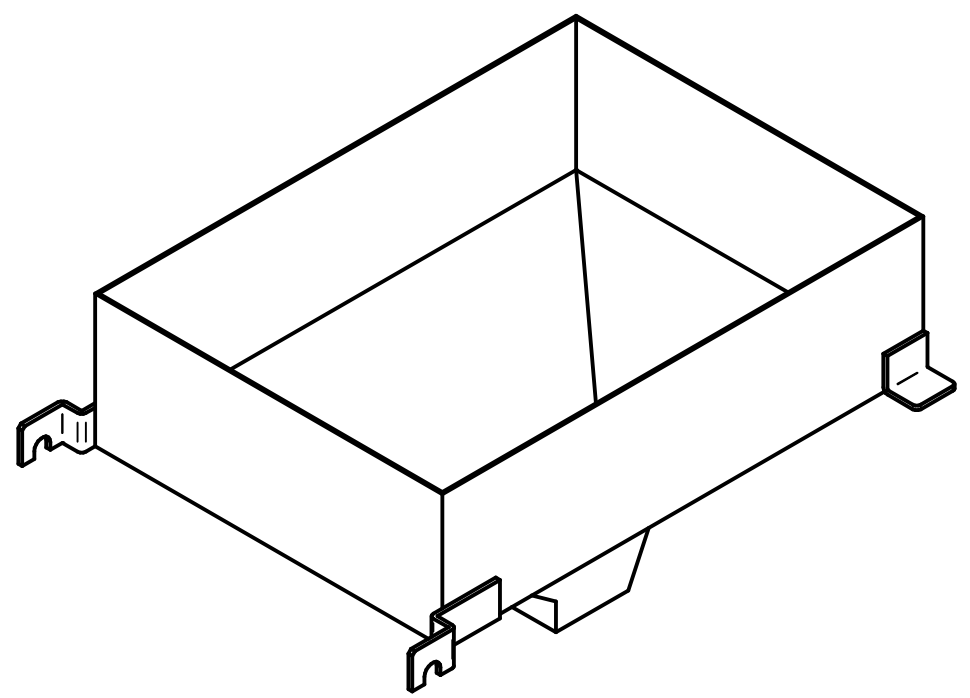


REVISION HISTORY

REV	DESCRIPTION	DATE	APPROVED



	NAME	DATE		
DRAWN				
CHECKED				
ENG APPR			TITLE	
MGR APPR				
UNLESS OTHERWISE SPECIFIED DIMENSIONS ARE IN MILLIMETERS ANGLES ±X.X° 2 PL ±X.XX 3 PL ±X.XXX			SIZE A3	DWG NO
				REV
			SCALE:	WEIGHT: